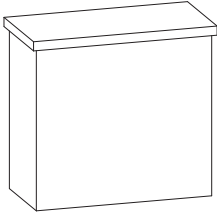

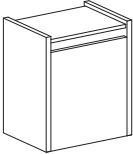
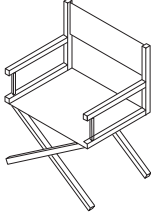
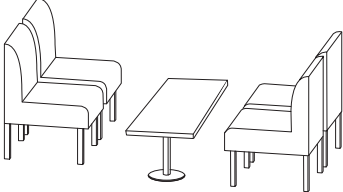
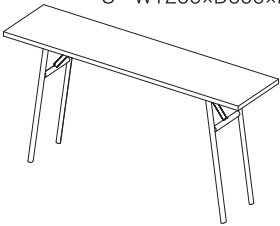
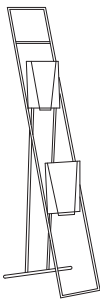
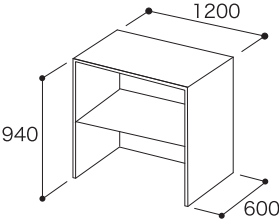
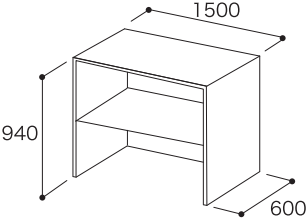
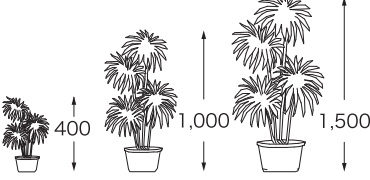
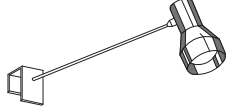
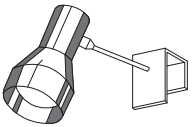
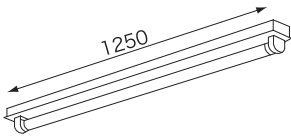
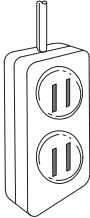
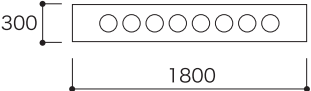
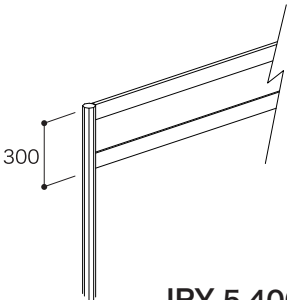
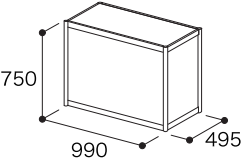
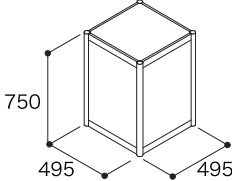
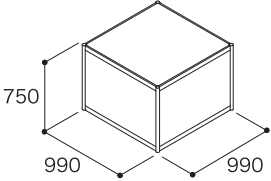
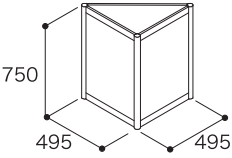
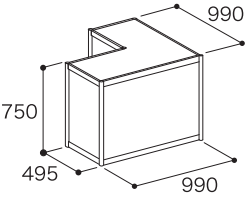
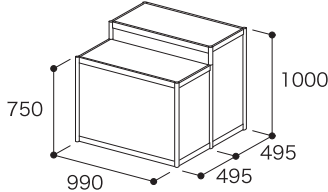


JAPAN INTERNATIONAL BOAT SHOW 2018

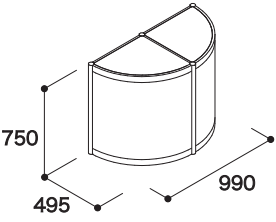
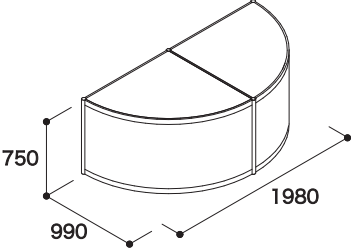
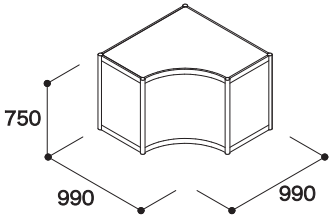
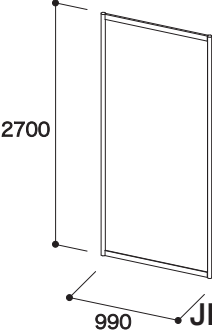
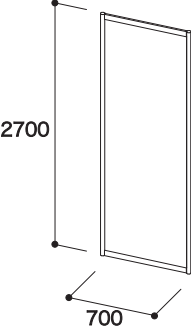
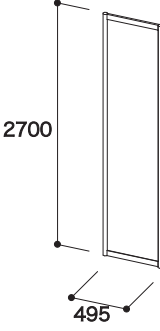
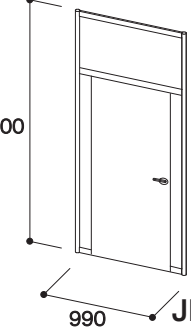
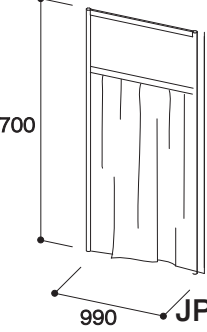
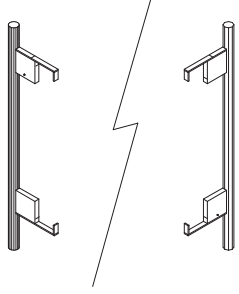
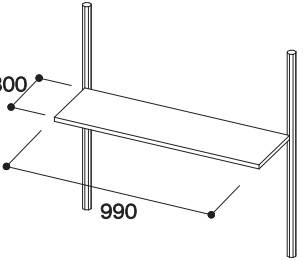
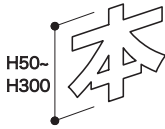
Guide for Optional Items

<p>1 Carpet</p> <p>Needle Punch Carpet</p> <p> <input type="checkbox"/> 1 Red <input type="checkbox"/> 4 Green <input type="checkbox"/> 2 Blue <input type="checkbox"/> 5 Grey <input type="checkbox"/> 3 Orange </p> <p>JPY 27,000/booth</p>	<p>2 Reception Counter</p>  <p>W900×D450×H800</p> <p>JPY 6,480</p>	<p>3 Folding Chair</p>  <p>JPY 648</p>
<p>4 Business Card Box</p>  <p>JPY 1,620</p>	<p>5 Director Chair</p> <p>Frame: Wood/ White/ Black 600×420 Seat: Red/ White/ Blue</p>  <p>JPY 2,160</p>	<p>6 Sofa Set</p> <p>1 Table (W800×D450×H600) / 4 Chairs</p>  <p>JPY 10,800</p>
<p>7 Table</p> <p>A W1800×D600×H730 B W1500×D600×H730 C W1200×D600×H730</p>  <p>JPY 3,780</p>	<p>8 Brochure Stand</p> <p>W250×D550×H1,700 A4 size×12 shelves</p>  <p>JPY 5,940</p>	<p>9 Unit Counter A</p>  <p>1200 940 600</p> <p>JPY 13,500</p>
<p>10 Unit Counter B</p>  <p>1500 940 600</p> <p>JPY 15,120</p>	<p>11 Greenary Plant</p>  <p>400 1,000 1,500</p> <p>A : Large JPY 3,780 B : Middle JPY 2,700 C : Small JPY 1,620</p>	<p>12 Spotlight with Arm</p>  <p>100W JPY 4,320</p>

※Prices include 8% consumption tax.

<p>13 Spotlight</p>	<p>14 Fluorescent Light</p>	<p>15 Outlet</p>
 <p>100W JPY 3,780</p>	 <p>FL 40W JPY 3,780</p>	 <p>100V JPY 3,780</p>
<p>16 Distribution Box</p>	<p>17 Exhibitor Nameboard</p>	<p>18 Fascia</p>
<p>JPY 10,800 per 1kw to be claimed in case of using electric capacity more than 1.5kw in the booth.</p>	<p>Gothic Letters on Styrene Board</p>  <p>1 piece JPY 10,800</p>	 <p>JPY 5,400/m</p>
<p>19 Display Counter</p>	<p>20 Display Counter</p>	<p>21 Display Counter</p>
<p>(H750·H1000)</p>  <p>JPY 14,040</p>	<p>(H750·H1000)</p>  <p>JPY 9,720</p>	<p>(H750·H1000)</p>  <p>JPY 21,600</p>
<p>22 Display Counter</p>	<p>23 Display Counter</p>	<p>24 Display Counter</p>
<p>(H750·H1000)</p>  <p>JPY 9,720</p>	<p>(H750·H1000)</p>  <p>JPY 23,760</p>	<p>(H750·H1000)</p>  <p>JPY 27,000</p>

※Prices include 8% consumption tax.

<p>25 Display Counter</p> <p>(H750·H1000)</p>  <p>750 495 990</p> <p>JPY 27,000</p>	<p>26 Display Counter</p> <p>(H750·H1000)</p>  <p>750 990 1980</p> <p>JPY 34,560</p>	<p>27 Display Counter</p> <p>(H750·H1000)</p>  <p>750 990 990</p> <p>JPY 27,000</p>
<p>28 Wall Panel</p>  <p>2700 990</p> <p>JPY 7,560</p>	<p>29 Wall Panel</p>  <p>2700 700</p> <p>JPY 7,560</p>	<p>30 Wall Panel</p>  <p>2700 495</p> <p>JPY 6,480</p>
<p>31 Door</p>  <p>2700 990</p> <p>JPY 27,000</p>	<p>32 Curtain</p>  <p>2700 990</p> <p>JPY 24,840</p>	<p>33 Panel Hook</p>  <p>4 hooks/one set JPY 3,240</p>
<p>34 Flat Shelf</p>  <p>300 990</p> <p>JPY 5,400</p>	<p>35 Cut-out Sheet Letter</p>  <p>H50~ H300</p> <p>(Gothic Letters Logo to be claimed additional charge.)</p> <p>1 character H50mm JPY 756 H100mm JPY1,404 H150mm JPY2,268 H200mm JPY3,024 H300mm JPY4,536</p>	

※Prices include 8% consumption tax.

1

JAPAN INTERNATIONAL BOAT SHOW 2018

**Request Form
for Booth Construction**

Tel: +813-3-6221-0843 Fax: +813-3-6221-1914
e-mail: boatshow2018@murayama.co.jp
Contact: MURAYAMA INC.

**Deadline
January 12 , 2018 (Fri)**

Exhibitor Name : _____ Booth No. : _____

Address : _____

Contact Person : _____ Title : _____

TEL : () _____ FAX : () _____

E-mail : _____

We use our Booth Constructor :

Company Name : _____

Address : _____

TEL : () _____ FAX : () _____

Contact E-mail : _____

Person in Charge : _____

We apply for Package Booth :

1 Booth Package

2 Booth Package

*Please choose carpet color: Red Blue Grey Green Orange

2

JAPAN INTERNATIONAL BOAT SHOW 2018

Request Form for Optional Items ②

Tel: +813-3-6221-0843 Fax: +813-3-6221-1914
e-mail: boatshow2018@murayama.co.jp
Contact: MURAYAMA INC.

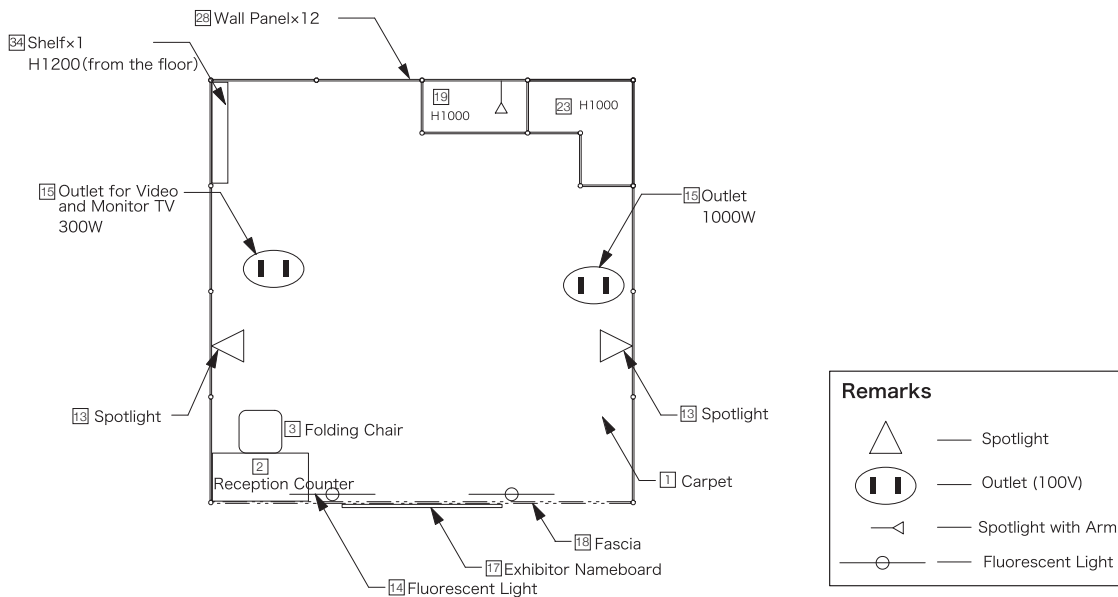
Please submit this form
if you apply the Form 2-①.

Deadline
January 12 , 2018 (Fri)

Exhibitor Name:

Booth No.:

< Sample >



Layout plan of the rental items (including the location and heights)